

RBMF series three pieces unions suitable for IIB gas group and extreme temperatures enable an independent rotation and connection between pipes, enclosures or different equipment.



Classification: 2014/34/UE	Group II	Category 2GD
Installation: EN 60079-14	zone 1 - zone 2 (Gas)	zone 21 - zone 22 (Dust)
Marking:	CE 0722 Ex II 2 GD Ex db IIB Gb Ex tb IIIC Db IP66/67 (RB..)	
Certification:	ATEX	CESI 99 ATEX 034U
	IECEX	IECEX CES 10.0002U
	TR CU	AVAILABLE

All IEC Ex and TR CU certification data can be downloaded at www.cortemgroup.com

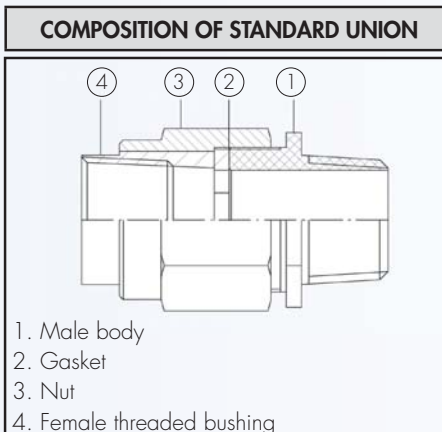
Standards:	CENELEC EN 60079-0: 2012+A11:2013, EN 60079-1: 2014, EN 60079-31: 2014 and EUROPEAN DIRECTIVE 2014/34/UE IEC60079-0: 2011, IEC60079-1: 2007-04, IEC60079-31: 2008 Directive RoHS 2002/95/CE
-------------------	--

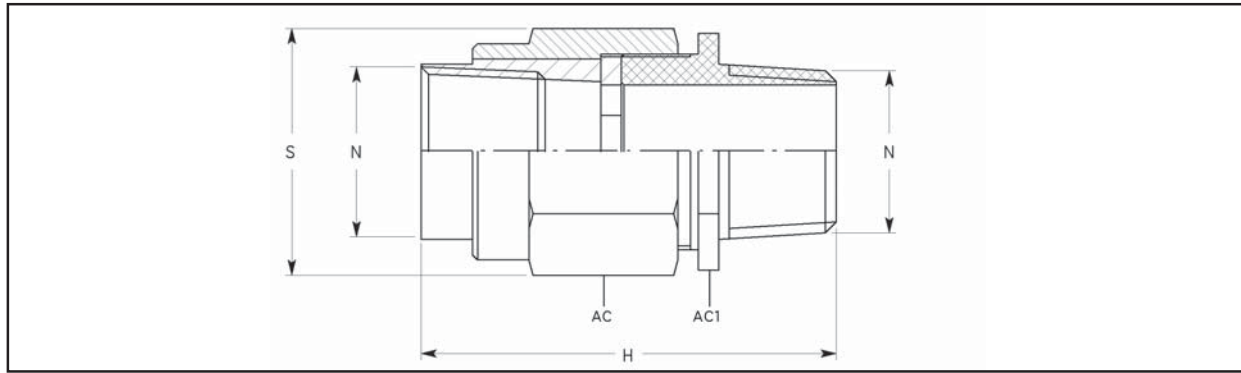
Degree of protection:	IP66/67
------------------------------	---------

Operating temperature:

Three pieces unions series	Materials	Gaskets	Ambient temperature
RBMF..	Galvanised steel (G), Nickel-plated brass (B)	Silicone	-20°C +150°C
RBMF...S	Stainless steel (S)	Silicone	-60°C +150°C

Certificates are available on www.cortemgroup.com

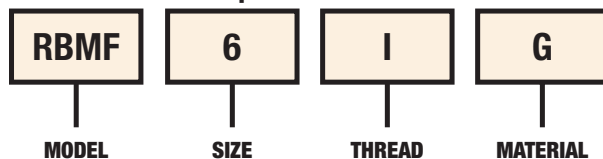




UNIONS SELECTION TABLE

Code In galvanised steel	Thread N	Dimensions in mm				Weight Kg
		H	S	AC	AC1	
RBMF1G	1/2" ISO7/1	71	35	30	27	0,150
RBMF2G	3/4" ISO7/1	72	40	35	32	0,185
RBMF3G	1" ISO7/1	82,5	48	42	40	0,300
RBMF4G	1 1/4" ISO7/1	86	60	55	59	0,760
RBMF5G	1 1/2" ISO7/1	86,5	75	70	67	1,000
RBMF6G	2" ISO7/1	88	90	84	77	1,400
RBMF7G	2 1/2" ISO7/1	107	117	108	99	2,350
RBMF8G	3" ISO7/1	109	132	121	108	2,800
RBMF10G	4" ISO7/1	116,5	152	145	135	4,160
RBMF1NG	1/2" NPT	71	35	30	27	0,150
RBMF2NG	3/4" NPT	72	40	35	32	0,185
RBMF3NG	1" NPT	82,5	48	42	40	0,300
RBMF4NG	1 1/4" NPT	86	60	55	59	0,760
RBMF5NG	1 1/2" NPT	86,5	75	70	67	1,000
RBMF6NG	2" NPT	88	90	84	77	1,400
RBMF7NG	2 1/2" NPT	107	117	108	99	2,350
RBMF8NG	3" NPT	109	132	121	108	2,800
RBMF10NG	4" NPT	116,5	152	145	135	4,160
RBMF1IG	M20x1,5	71	35	30	27	0,150
RBMF2IG	M25x1,5	72	40	35	32	0,185
RBMF3IG	M32x1,5	82,5	48	42	40	0,300
RBMF4IG	M40x1,5	86	60	55	59	0,760
RBMF5IG	M50x1,5	86,5	75	70	67	1,000
RBMF6IG	M63x1,5	88	90	84	77	1,400
RBMF7IG	M75x1,5	107	117	108	99	2,350
RBMF8IG	M90x1,5	109	132	121	108	2,800
RBMF10IG	M100x1,5	116,5	152	145	135	4,160

Order code example



TECHNICAL NOTES:

- The silicone O-ring for the IP protection for cylindrical threads (ISO metric) is supplied already assembled on the union
- Available also in stainless steel (example code RBMF1S)
- Available also in nickel-plated brass (example code RBMF1B)
- It is possible supply mixed thread, of the same equivalence (sample code for fitting in galvanised steel Male 1"NPT - Female M32x1,5: RBMF3NG)