

NEVP series cable glands are suitable for use in areas with the risk of explosion, allowing the direct insertion of armoured cables in explosion proof enclosures and the installation of lead sheathed cables. They are supplied with a sealing ring which is stretched over the cable at the inlet ensuring the anti-loosening, 'Ex d' execution, and a second compression ring which is stretched over the cable armour at the outlet to guarantee an IP 66/68 protection rating, and a metal ring which affixes to the outer surface of the lead sheath as it is wound, fastening it in place. Their structure makes them suitable for environments which are particularly difficult, such as marine environments, or where there are subjected to the mechanical stresses and impacts which often occur in heavy industry, where safety is the utmost priority.



<b>Classification:</b> 2014/34/EU	Group II	Category 2GD/3G
<b>Installation:</b> EN 60079.14	zone 1 - zone 2 (Gas)	zone 21 - zone 22 (Dust)
<b>Marking:</b>	CE 0722  II 2 GD - Ex db IIC Gb - Ex eb IIC Gb II 2 D - Ex tb IIIC Db II 3G Ex nR IIC Gc - IP66/68	
<b>Certification:</b>	ATEX (category 2):	IMQ 17 ATEX 016X
	ATEX (category 3):	IMQ 17 ATEX 017X
	IEC Ex IECEx IMQ 17.0010X	All IEC Ex and TR CU certification data can be downloaded at <a href="http://www.cortemgroup.com">www.cortemgroup.com</a>
<b>Standards:</b>	CENELEC EN 60079-0: 2012+A11:2013, EN 60079-1: 2016, EN 60079-7: 2015, EN 60079-15: 2012, EN 60079-31: 2015 and EUROPEAN DIRECTIVE 2014/34/EU IEC60079-0: 2011 IEC60079-1: 2014 IEC60079-7: 2015 IEC60079-15: 2015 IEC60079-31: 2013 RoHS Directive 2002/95/EC	
<b>Operating temperature:</b>	-60 °C +130 °C	
<b>Protection rating:</b>	IP66/68 (30 meters - 12 hours)	
<b>Design</b>	BS 6121: Part 1:1989, IEC 62444, EN 62444	

Interactive Point



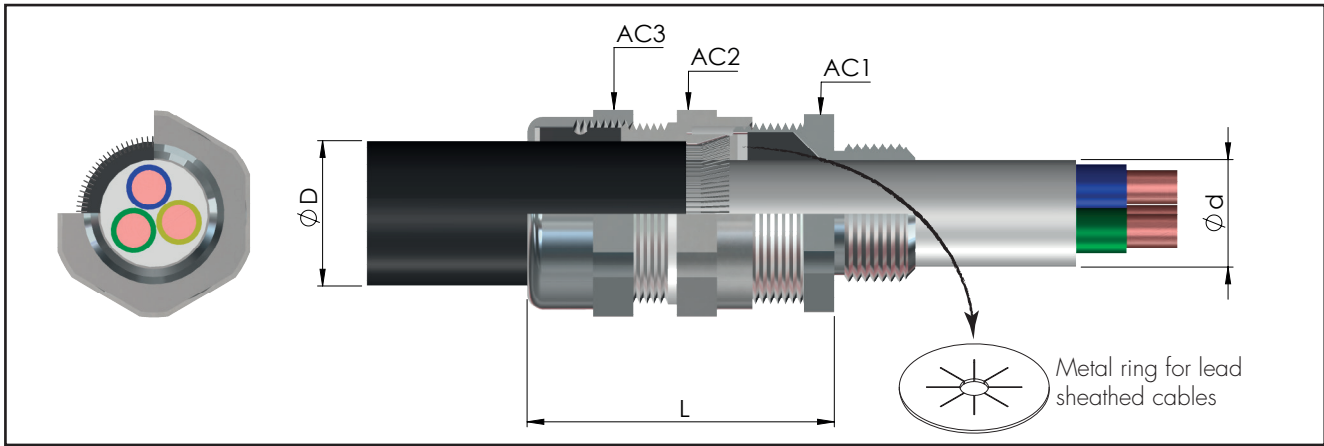
[Safety, use and maintenance instructions](#)

Certificates are available on [www.cortemgroup.com](http://www.cortemgroup.com)

**ACCESSORIES UPON REQUEST**

Locknuts	ISO thread	Nickel-plated brass	Galvanized steel	Stainless steel	Sealing ring for flat/healing cables	Black TPV protector	CG	Code	
	M16x1,5	DL01IB	DL01IG	DL01IS			NEVP01NB	PGA1F	
	M20x1,5	DL11IB	DL11IG	DL11IS			NEVP1SNB	PGA1N	
	M25x1,5	DL21IB	DL21IG	DL21IS			NEVP1NB	PGA1	
	M32x1,5	DL31IB	DL31IG	DL31IS			NEVP2NB	PGA2N	
	M40x1,5	DL41IB	DL41IG	DL41IS			NEVP3NB	PGA4	
	M50x1,5	DL51IB	DL51IG	DL51IS			NEVP4NB	PGA5	
	M63x1,5	DL61IB	DL61IG	DL61IS			NEVP5SNB	PGA5	
	M75x1,5	DL71IB	DL71IG	DL71IS			NEVP5NB	PGA5N	
	M90x1,5	DL81IB	DL81IG	DL81IS			NEVP6SNB	PGA6	
	M100x1,5	DL101IB	DL101IG	DL101IS			NEVP6NB	PGA7	
M115x1,5	DL115IB	DL115IG	DL115IS	NEVP7SNB	GTR Heat shrinkable				
				NEVP7NB					
				NEVP8NB					
				NEVP9NB					
				NEVP10NB					
Nickel-plated brass earthing rings	ISO thread	Nickel-plated brass	Stainless steel	Serrated stainless steel lock washers	Code	Adapters and reducers of the RE... series			
	M16x1,5	A0131B	A0131S		RD101S/A4				
	M20x1,5	A1311B	A1311S		RD11S/A4				
	M25x1,5	A2312B	A2312S		RD12S/A4				
	M32x1,5	A3313B	A3313S		RD13S/A4				
	M40x1,5	A4314B	A4314S		RD14S/A4				
	M50x1,5	A5315B	A5315S		RD15S/A4				
	M63x1,5	A6316B	A6316S		RD16S/A4				
	M75x1,5	A731B	A731S						
	M90x1,5	A831B	A831S						
	M100x1,5	A103110B	A103110S						
M115x1,5	A1031B	A1031S							

\* For different threads, contact the sales department.

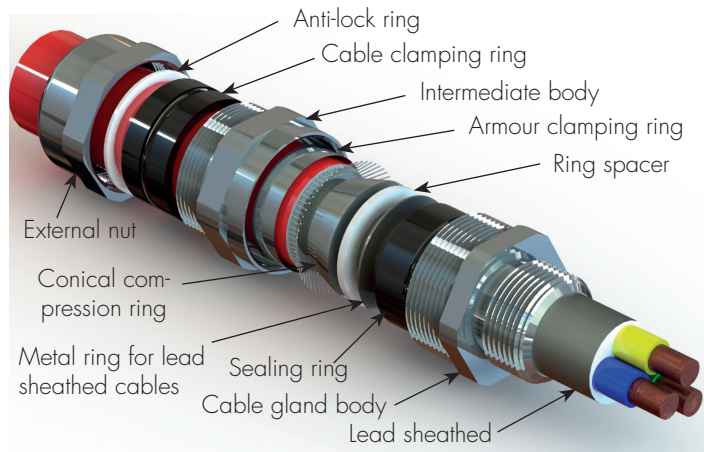
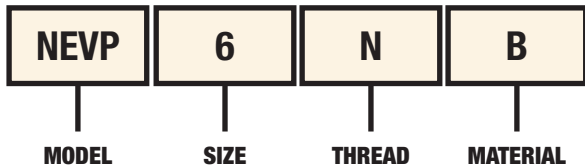


**CABLE GLAND SELECTION TABLE**

Code Nickel-plated brass	Thread	Code Nickel-plated brass	Thread	Dimensions in mm				Range		Armour thickness	Weight Kg
				AC1	AC2	AC3	L	Ød min-max Internal cable sheath	ØD min-max Outer sheath of the cable		
NEVP01NB	3/8" NPT	NEVP16IB	M16x1,5	24	24	24	59	3.5 - 8.6	6 - 13.2	0.2 - 1.3	0,145
NEVP1SNB	1/2" NPT	NEVP20SIB	M20x1,5	24	26	26	59	6.3 - 11.6	9.5 - 16	0.2 - 1.3	0,157
NEVP1NB	1/2" NPT	NEVP20IB	M20x1,5	30	32	32	61	6.5 - 14	12.5 - 21	0.2 - 1.4	0,215
NEVP2NB	3/4" NPT	NEVP25IB	M25x1,5	36	38	38	61	11 - 20	20 - 27.5	0.2 - 1.6	0,261
NEVP3NB	1" NPT	NEVP32IB	M32x1,5	45	47	47	72	17 - 27	23.5 - 34	0.2 - 2.0	0,433
NEVP4NB	1 1/4" NPT	NEVP40IB	M40x1,5	50	52	52	73	22 - 32	26 - 40	0.2 - 2.2	0,514
NEVP5SNB	1 1/2" NPT	NEVP50SIB	M50x1,5	55	57	57	80	29.5 - 38	35 - 46.5	0.2 - 2.5	0,610
NEVP5NB	2" NPT	NEVP50IB	M50x1,5	62/60*	62	62	81	35.5 - 44	38 - 53	0.2 - 2.5	0,562
NEVP6SNB	2" NPT	NEVP63SIB	M63x1,5	68	75	77	91	40 - 50	45.5 - 59.5	0.2 - 2.5	1,151
NEVP6NB	2 1/2" NPT	NEVP63IB	M63x1,5	75/73*	80	82	93	47 - 56	54.5 - 66	0.2 - 2.5	1,100
NEVP7SNB	2 1/2" NPT	NEVP75SIB	M75x1,5	80	85	90	97	53 - 62	57 - 72	0.2 - 2.8	1,308
NEVP7NB	3" NPT	NEVP75IB	M75x1,5	90/85*	95	100	99	59 - 68	66.5 - 78.5	0.2 - 2.8	1,538
NEVP8NB	3" NPT	NEVP90IB	M90x1,5	100	105	110	104	66 - 79	76.5 - 90	0.2 - 2.8	2,000
NEVP9NB	3 1/2" NPT	NEVP100IB	M100x1,5	115	120	120	111	76 - 91	86 - 101	0.2 - 3.3	2,381
NEVP10NB	4" NPT	NEVP115IB	M115x1,5	120	125	130	112	86 - 98	100 - 110	0.2 - 3.5	2,783

\* Dimensions with threaded: NPT / ISO

**Sample order code**



**TECHNICAL NOTES:**

- Silicone o-rings are supplied for cylindrical threads (ISO metric) for the pre-assembled IP seal on the cable gland
- The ISO7/1 thread version is available upon request (sample code NEVP1B)
- Also available in stainless steel AISI 316 (sample code NEVP1S)
- Other materials on request
- For "Ex i" intrinsic safety version, RAL 5015 blue nut (sample code NEVP1SIA)
- Internal ring for armoured cables with larger cross-section