

The NEVB series barrier cable glands for armoured cable are designed to guarantee the IP66/67 protection and the explosion protection 'Ex db IIC; Ex eb IIC' in applications where installation requirements are needed in accordance with the EN - IEC 60079-14: 2015 standard. The barrier is shaped around the conductors thanks to the particular mixture that flows through them in the special bushing ensuring a complete seal. The liquid resin used prevents the formation of air pockets or voids between the conductors and the bushing (typical problems found with malleable resins). Resin kit available separately.



[Safety, maintenance and mounting instructions](#)

<b>Classification:</b> 2014/34/EU	<b>Group II</b>	<b>Category 2GD/3G</b>
<b>Installation:</b> EN 60079.14	<b>zone 1 - zone 2 (Gas)</b>	<b>zone 21 - zone 22 (Dust)</b>
<b>Marking:</b>	CE 0722 Ex II 2 GD - Ex db IIC Gb - Ex eb IIC Gb II 2 D - Ex tb IIC Db II 3G Ex nR IIC Gc	
<b>Certification:</b>	<b>ATEX (category 2):</b>	<b>IMQ 19 ATEX 019X</b>
	<b>ATEX (category 3):</b>	<b>IMQ 19 ATEX 020X</b>
	<b>IEC Ex</b>	<b>IECEx IMQ 19.0003X</b>
	<b>TR CU</b>	<b>Work in progress</b>
<b>Standards:</b>	CENELEC EN 60079-0: 2012+A11:2013, EN 60079-1: 2016, EN 60079-7: 2015, EN 60079-15: 2012, EN 60079-31: 2015 ed alla DIRETTIVA EUROPEA 2014/34/UE IEC60079-0: 2011, IEC60079-1: 2014, IEC60079-7: 2015, IEC60079-15: 2015, IEC60079-31: 2013 Direttiva RoHS 2002/95/CE	
<b>Operating temperature:</b>	<b>-60°C +100°C</b>	
<b>Protection rating:</b>	<b>IP66/67</b>	
<b>Design</b>	<b>BS 6121: Part 1:1989, IEC 62444, EN 62444</b>	

Certificates are available on [www.cortemgroup.com](http://www.cortemgroup.com)

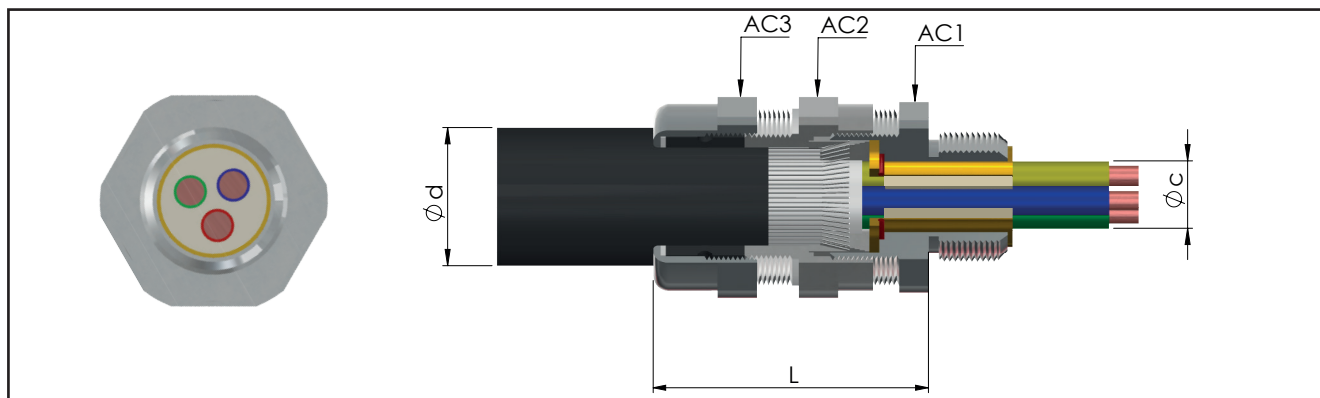
**ACCESSORIES UPON REQUEST**

Locknuts	ISO thread	Nickel-plated brass	Galvanized steel	Stainless steel	Black TPV protector	Cableglands	Code	
	M16x1,5	<b>DL01B</b>	<b>DL01G</b>	<b>DL01S</b>		NEVB01NB	NEVB16IB	<b>PGA1F</b>
	M20x1,5	<b>DL11B</b>	<b>DL11G</b>	<b>DL11S</b>		NEVB1SNB	NEVB20SIB	<b>PGA1N</b>
	M25x1,5	<b>DL21B</b>	<b>DL21G</b>	<b>DL21S</b>		NEVB1NB	NEVB20IB	<b>PGA1</b>
	M32x1,5	<b>DL31B</b>	<b>DL31G</b>	<b>DL31S</b>		NEVB2NB	NEVB25IB	<b>PGA2N</b>
	M40x1,5	<b>DL41B</b>	<b>DL41G</b>	<b>DL41S</b>		NEVB3NB	NEVB32IB	<b>PGA4</b>
	M50x1,5	<b>DL51B</b>	<b>DL51G</b>	<b>DL51S</b>		NEVB4NB	NEVB40IB	<b>PGA4</b>
	M63x1,5	<b>DL61B</b>	<b>DL61G</b>	<b>DL61S</b>		NEVB5SNB	NEVB50SIB	<b>PGA5</b>
	M75x1,5	<b>DL71B</b>	<b>DL71G</b>	<b>DL71S</b>		NEVB5NB	NEVB50IB	<b>PGA5N</b>
	M90x1,5	<b>DL81B</b>	<b>DL81G</b>	<b>DL81S</b>		NEVB6SNB	NEVB63SIB	<b>PGA6</b>
	M100x1,5	<b>DL101B</b>	<b>DL101G</b>	<b>DL101S</b>		NEVB6NB	NEVB63IB	<b>PGA7</b>
M115x1,5	<b>DL1151B</b>	<b>DL1151G</b>	<b>DL1151S</b>	NEVB7SNB	NEVB75SIB	<b>GTR7</b> Heat shrinkable		
				NEVB7NB	NEVB75IB			
				NEVB8NB	NEVB90IB			
				NEVB9NB	NEVB100IB			
				NEVB10NB	NEVB115IB			

Nickel-plated brass earthing rings	ISO thread	Nickel-plated brass	Stainless steel	Serrated stainless steel lock washers	Code	Adapters and reducers of the RE... series
	M16x1,5	<b>A0131B</b>	<b>A0131S</b>		<b>RD101S/A4</b>	
	M20x1,5	<b>A13111B</b>	<b>A13111S</b>		<b>RD11S/A4</b>	
	M25x1,5	<b>A23121B</b>	<b>A23121S</b>		<b>RD12IS/A4</b>	
	M32x1,5	<b>A33131B</b>	<b>A33131S</b>		<b>RD13IS/A4</b>	
	M40x1,5	<b>A43141B</b>	<b>A43141S</b>		<b>RD14IS/A4</b>	
	M50x1,5	<b>A53151B</b>	<b>A53151S</b>		<b>RD15IS/A4</b>	
	M63x1,5	<b>A63161B</b>	<b>A63161S</b>		<b>RD16IS/A4</b>	
	M75x1,5	<b>A731B</b>	<b>A731S</b>			
	M90x1,5	<b>A831B</b>	<b>A831S</b>			
	M100x1,5	<b>A1031101B</b>	<b>A1031101S</b>			
M115x1,5	<b>A1031B</b>	<b>A1031S</b>				

\* For different threads, contact the sales department.



### CABLE GLAND SELECTION TABLE

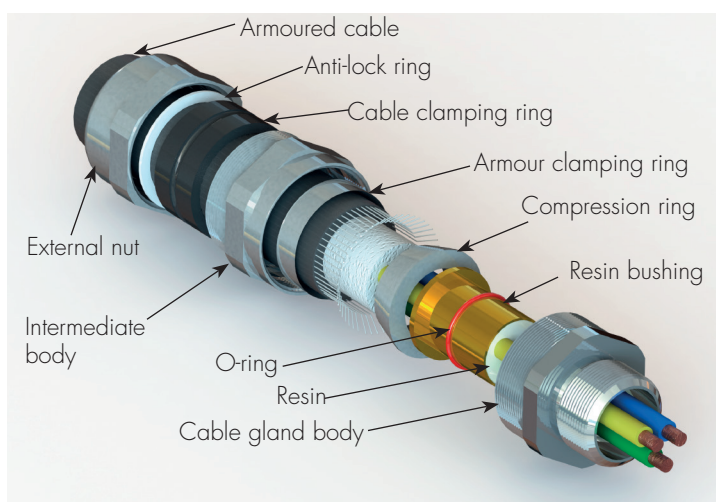
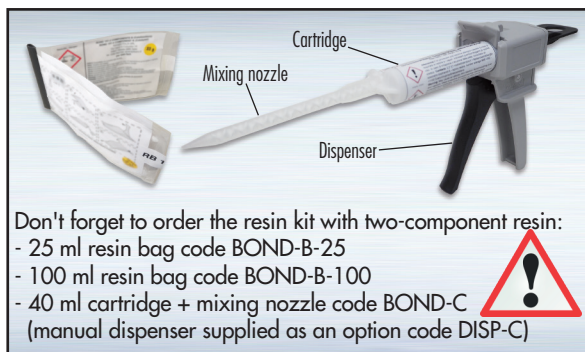
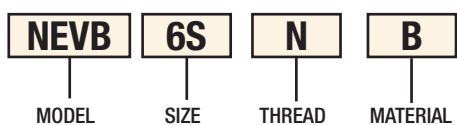
Code Nickel-plated brass	Thread	Code Nickel-plated brass	Thread	Dimensions in mm				Range			Peso Kg	Q.ty of resin ml ***
				AC1	AC2	AC3	L	Ød cable max	Øc over cores	n. max cable **		
NEVB01NB	3/8" NPT	NEVB16IB	M16x1,5	24	24	24	52	6 - 13.2	5.5	11	0,159	1.3
NEVB1SNB	1/2" NPT	NEVB20SIB	M20x1,5	24	26	26	53	9.5 - 16	10	11	0,172	3.7
NEVB1NB	1/2" NPT	NEVB20IB	M20x1,5	30	32	32	59	12.5 - 21	11	11	0,236	4.2
NEVB2NB	3/4" NPT	NEVB25IB	M25x1,5	36	38	38	55	20 - 27.5	15	21	0,287	8.3
NEVB3NB	1" NPT	NEVB32IB	M32x1,5	45	47	47	63	23.5 - 34	21	38	0,476	15
NEVB4NB	1 1/4" NPT	NEVB40IB	M40x1,5	50	52	52	65	26 - 40	27	59	0,565	24
NEVB5SNB	1 1/2" NPT	NEVB50SIB	M50x1,5	55	57	57	69	35 - 46.5	33	89	0,671	36
NEVB5NB	2" NPT	NEVB50IB	M50x1,5	60	62	62	69	38 - 53	35	89	0,618	41
NEVB6SNB	2" NPT	NEVB63SIB	M63x1,5	68	75	77	81	45.5 - 59.5	43	115	1,266	65
NEVB6NB	2 1/2" NPT	NEVB63IB	M63x1,5	73	80	82	83	54.5 - 66	45	115	1,210	70
NEVB7SNB	2 1/2" NPT	NEVB75SIB	M75x1,5	80	85	90	87	57 - 72	53	140	1,438	98
NEVB7NB	3" NPT	NEVB75IB	M75x1,5	85	95	100	88	66.5 - 78.5	55	140	1,691	101
NEVB8NB	3" NPT	NEVB90IB	M90x1,5	100	105	110	92	76.5 - 90	65	200	2,200	145
NEVB9NB	3 1/2" NPT	NEVB100IB	M100x1,5	115	120	120	100	86 - 101	72	200	2,619	188
NEVB10NB	4" NPT	NEVB115IB	M115x1,5	120	125	130	100	100 - 110	85	200	3,061	254

\* Dimensions with threaded: NPT / ISO.

\*\* At least 20% of the internal section of the bushing must be filled with resin.

\*\*\* Maximum quantity of resin calculated with completely empty bushing.

### Sample order code of the cable gland



### TECHNICAL NOTES:

- Silicone o-rings are supplied for cylindrical threads (ISO metric) for the pre-assembled IP seal on the cable gland.
- The ISO7/1 thread version is available upon request (sample code NEVB1B).
- Also available in stainless steel AISI 316 (sample code NEVB1S).
- Other materials on request.
- For "Ex i" intrinsic safety version, RAL 5015 blue nut (sample code NEVB1IA).