

NAVN series cable glands, with a male outlet fitting, are suitable for use in areas with the risk of explosion, allowing the direct insertion of non-armoured cables in explosion proof enclosures, light fixtures, outlets, plugs, etc. Their structure makes them suitable for environments which are particularly difficult, such as marine environments, or where there are subjected to the mechanical stresses and impacts which often occur in heavy industry, where safety is the utmost priority. They are supplied with a sealing ring which is stretched over the cable at the inlet, ensuring the anti-loosening, 'Ex d' execution and an IP66/68 protection rating. The result is a cable gland which provides maximum performance, long-term reliability and safety, is compatible with a wide range of the main, commercially available cables, and complies with the most recent applicable regulations.



Classification: 2014/34/EU	Group II	Category 2GD/3G
Installation: EN 60079.14	zone 1 - zone 2 (Gas)	zone 21 - zone 22 (Dust)
Marking:	CE 0722 Ex II 2 GD - Ex db IIC Gb - Ex eb IIC Gb II 2 D - Ex tb IIIC Db II 3G Ex nR IIC Gc - IP66/68	
Certification:	ATEX (category 2):	IMQ 17 ATEX 016X
	ATEX (category 3):	IMQ 17 ATEX 017X
	IEC Ex IECEx IMQ 17.0010X	All IEC Ex and TR CU certification data can be downloaded at www.cortemgroup.com
	TR CU AVAILABLE	
Standards:	CENELEC EN 60079-0: 2012+A11:2013, EN 60079-1: 2016, EN 60079-7: 2015, EN 60079-15: 2012, EN 60079-31: 2015 and EUROPEAN DIRECTIVE 2014/34/EU IEC60079-0: 2011 IEC60079-1: 2014 IEC60079-7: 2015 IEC60079-15: 2015 IEC60079-31: 2013 RoHS Directive 2002/95/EC	
Operating temperature:	-60 °C +130 °C	
Protection rating:	IP66/68 (30 meters - 12 hours)	
Design	BS 6121: Part 1:1989, IEC 62444, EN 62444	

Interactive Point



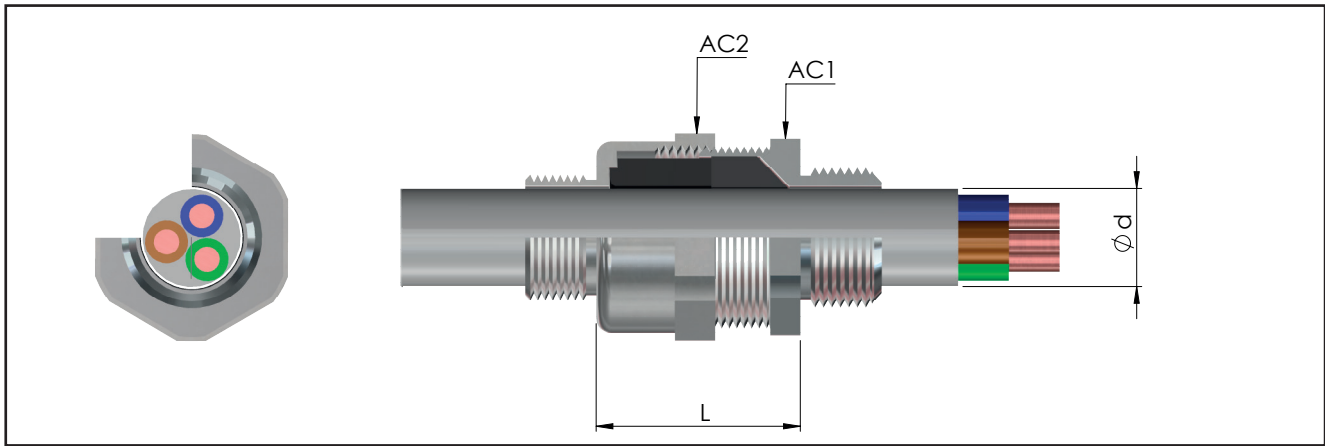
[NAV assembly instructions video](#)

Certificates are available on www.cortemgroup.com

ACCESSORIES UPON REQUEST

Locknuts	ISO thread	Nickel-plated brass	Galvanized steel	Stainless steel	Sealing ring for flat/healing cables	
	M16x1,5	DL01IB	DL01IG	DL01IS		
	M20x1,5	DL1IB	DL1IG	DL1IS		
	M25x1,5	DL2IB	DL2IG	DL2IS		
	M32x1,5	DL3IB	DL3IG	DL3IS		
	M40x1,5	DL4IB	DL4IG	DL4IS		
	M50x1,5	DL5IB	DL5IG	DL5IS		
	M63x1,5	DL6IB	DL6IG	DL6IS		
	M75x1,5	DL7IB	DL7IG	DL7IS		
	M90x1,5	DL8IB	DL8IG	DL8IS		
	M100x1,5	DL10IB	DL10IG	DL10IS		
M115x1,5	DL115IB	DL115IG	DL115IS	Code and dimensions are in the page pagina A.12		
Nickel-plated brass earthing rings	ISO thread	Nickel-plated brass	Stainless steel	Serrated stainless steel lock washers	Code	Adapters and reducers of the RE... series
	M16x1,5	A0131B	A0131S		RD101S/A4	
	M20x1,5	A1311B	A1311S		RD11S/A4	
	M25x1,5	A2312B	A2312S		RD12S/A4	
	M32x1,5	A3313B	A3313S		RD13S/A4	
	M40x1,5	A4314B	A4314S		RD14S/A4	
	M50x1,5	A5315B	A5315S		RD15S/A4	
	M63x1,5	A6316B	A6316S		RD16S/A4	
	M75x1,5	A731B	A731S			
	M90x1,5	A831B	A831S			
	M100x1,5	A10310IB	A10310IS			
	M115x1,5	A1031B	A1031S			

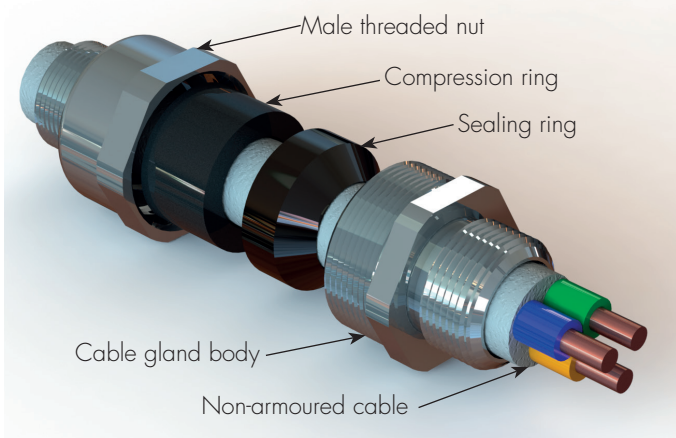
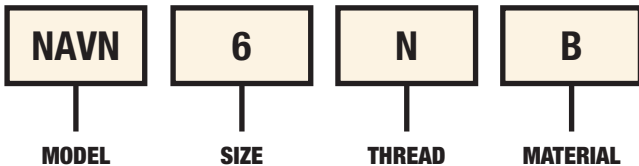
* For different threads, contact the sales department.



CABLE GLAND SELECTION TABLE								
Code Nickel-plated brass	Thread	Code Nickel-plated brass	Thread	Dimensions in mm			Range	Weight
				AC1	AC2	L	Ød min-max Outer sheath of the cable	Kg
NAVN01NB	3/8" NPT	NAVN16IB	M16x1,5	24	24	53	3.5 - 8.6	0,105
NAVN1SNB	1/2" NPT	NAVN20SIB	M20x1,5	24	26	53	6.3 - 11.6	0,122
NAVN1NB	1/2" NPT	NAVN20IB	M20x1,5	30	32	56	6.5 - 14	0,150
NAVN2NB	3/4" NPT	NAVN25IB	M25x1,5	36	38	56	11 - 20	0,192
NAVN3NB	1" NPT	NAVN32IB	M32x1,5	45	47	59	17 - 27	0,264
NAVN4NB	1 ¼" NPT	NAVN40IB	M40x1,5	50	52	59	22 - 32	0,360
NAVN5SNB	1 ½" NPT	NAVN50SIB	M50x1,5	55	57	63	29.5 - 38	0,486
NAVN5NB	2" NPT	NAVN50IB	M50x1,5	62/60*	62	63	35.5 - 44	0,392
NAVN6SNB	2" NPT	NAVN63SIB	M63x1,5	68	77	74	40 - 50	1,034
NAVN6NB	2 ½" NPT	NAVN63IB	M63x1,5	75/73*	77	75	47 - 56	0,715
NAVN7SNB	2 ½" NPT	NAVN75SIB	M75x1,5	80	82	77	53 - 62	0,984
NAVN7NB	3" NPT	NAVN75IB	M75x1,5	90/85*	90	78	59 - 68	0,948
NAVN8NB	3" NPT	NAVN90IB	M90x1,5	100	110	88	66 - 79	1,804
NAVN9NB	3 ½" NPT	NAVN100IB	M100x1,5	115	120	92	76 - 91	1,858
NAVN10NB	4" NPT	NAVN115IB	M115x1,5	120	130	92	86 - 98	2,779

* Dimensions with threaded: NPT / ISO

Sample order code



TECHNICAL NOTES:

- Silicone o-rings are supplied for cylindrical threads (ISO metric) for the pre-assembled IP seal on the cable gland
- The ISO7/1 thread version is available upon request (sample code NAVN1B)
- Also available in stainless steel AISI 316 (sample code NAVN1S)
- Other materials on request
- For "Ex i" intrinsic safety version, RAL 5015 blue nut (sample code NAVN1IA)