

The NAVBN series barrier cable glands for non-armoured cable, with a male threaded outlet fitting, are designed to guarantee the IP66/67 protection and the explosion protection 'Ex db IIC; Ex eb IIC' in applications where installation requirements are needed in accordance with the EN - IEC 60079-14: 2015 standard. The barrier is shaped around the conductors thanks to the particular mixture that flows through them in the special bushing ensuring a complete seal. The liquid resin used prevents the formation of air pockets or voids between the conductors and the bushing (typical problems found with malleable resins). Resin kit available separately.



[Safety, maintenance and mounting instructions](#)

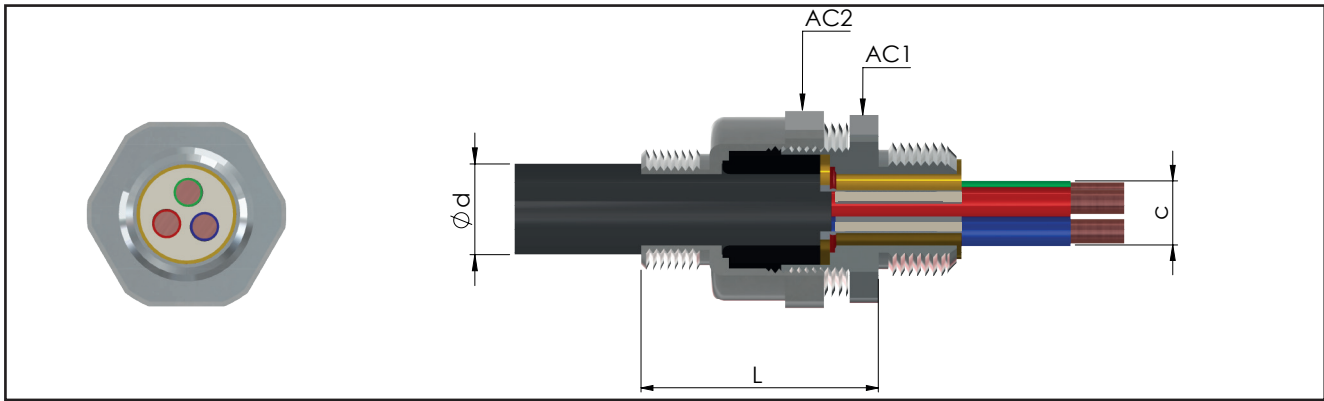
Classification: 2014/34/EU	Group II	Category 2GD/3G
Installation: EN 60079.14	zone 1 - zone 2 (Gas)	zone 21 - zone 22 (Dust)
Marking:	CE 0722 Ex II 2 GD - Ex db IIC Gb - Ex eb IIC Gb II 2 D - Ex tb IIC Db II 3G Ex nR IIC Gc	
Certification:	ATEX (category 2):	IMQ 19 ATEX 019X
	ATEX (category 3):	IMQ 19 ATEX 020X
	IEC Ex	IECEx IMQ 19.0003X
	TR CU	Work in progress
Standards:	CENELEC EN 60079-0: 2012+A11:2013, EN 60079-1: 2016, EN 60079-7: 2015, EN 60079-15: 2012, EN 60079-31: 2015 ed alla DIRETTIVA EUROPEA 2014/34/UE IEC60079-0: 2011, IEC60079-1: 2014, IEC60079-7: 2015, IEC60079-15: 2015, IEC60079-31: 2013 Direttiva RoHS 2002/95/CE	
Operating temperature:	-60°C +100°C	
Protection rating:	IP66/67	
Design	BS 6121: Part 1:1989, IEC 62444, EN 62444	

Certificates are available on www.cortemgroup.com

ACCESSORIES UPON REQUEST

Locknuts	ISO thread	Nickel-plated brass	Galvanized steel	Stainless steel	Black TPV protector	Cableglands	Code
	M16x1,5	DL01B	DL01G	DL01S		NAVBN01NB NAVBN161B	PGA1F
	M20x1,5	DL11B	DL11G	DL11S		NAVBN1SNB NAVBN20S1B	PGA1N
	M25x1,5	DL21B	DL21G	DL21S		NAVBN1NB NAVBN201B	PGA1
	M32x1,5	DL31B	DL31G	DL31S		NAVBN2NB NAVBN251B	PGA2N
	M40x1,5	DL41B	DL41G	DL41S		NAVBN3NB NAVBN321B	PGA4
	M50x1,5	DL51B	DL51G	DL51S		NAVBN4NB NAVBN401B	PGA4
	M63x1,5	DL61B	DL61G	DL61S		NAVBN5SNB NAVBN50S1B	PGA5
	M75x1,5	DL71B	DL71G	DL71S		NAVBN5NB NAVBN501B	PGA5N
	M90x1,5	DL81B	DL81G	DL81S		NAVBN6SNB NAVBN63S1B	PGA6
	M100x1,5	DL101B	DL101G	DL101S		NAVBN6NB NAVBN631B	PGA6
M115x1,5	DL1151B	DL1151G	DL1151S	NAVBN7SNB NAVBN75S1B	PGA7		
Nickel-plated brass earthing rings	ISO thread	Nickel-plated brass	Stainless steel	Serrated stainless steel lock washers	Code	Adapters and reducers of the RE... series	
	M16x1,5	A0131B	A0131S		RD101S/A4		
	M20x1,5	A13111B	A13111S		RD11S/A4		
	M25x1,5	A23121B	A23121S		RD12S/A4		
	M32x1,5	A33131B	A33131S		RD13S/A4		
	M40x1,5	A43141B	A43141S		RD14S/A4		
	M50x1,5	A53151B	A53151S		RD15S/A4		
	M63x1,5	A63161B	A63161S		RD16S/A4		
	M75x1,5	A731B	A731S				
	M90x1,5	A831B	A831S				
M100x1,5	A1031101B	A1031101S					
M115x1,5	A1031B	A1031S					
						NAVBN10NB NAVBN1151B	PGA7
							GTR7 Heat shrinkable

* For different threads, contact the sales department.



CABLE GLAND SELECTION TABLE

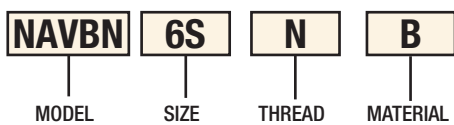
Code Nickel-plated brass	Thread	Code Nickel-plated brass	Thread	Dimensions in mm			Range			Weight Kg	Q.ty of resin ml ***
				AC1	AC2	L	Ød cable max	Øc over cores	n. max cable **		
NAVBN01NB	3/8" NPT	NAVBN16IB	M16x1,5	24	24	47.5	8.6	5.5	11	0,115	1.3
NAVBN1SNB	1/2" NPT	NAVBN20SIB	M20x1,5	24	26	48	11.6	10	11	0,134	3.7
NAVBN1NB	1/2" NPT	NAVBN20IB	M20x1,5	30	32	51.5	14	11	11	0,165	4.2
NAVBN2NB	3/4" NPT	NAVBN25IB	M25x1,5	36	38	50.5	20	15	21	0,211	8.3
NAVBN3NB	1" NPT	NAVBN32IB	M32x1,5	45	47	51.5	27	21	38	0,290	15
NAVBN4NB	1 1/4" NPT	NAVBN40IB	M40x1,5	50	52	52.5	32	27	59	0,396	24
NAVBN5SNB	1 1/2" NPT	NAVBN50SIB	M50x1,5	55	57	54.5	38	33	89	0,534	36
NAVBN5NB	2" NPT	NAVBN50IB	M50x1,5	62/60*	62	54.5	44	35	89	0,431	41
NAVBN6SNB	2" NPT	NAVBN63SIB	M63x1,5	68	77	67	50	43	115	1,137	65
NAVBN6NB	2 1/2" NPT	NAVBN63IB	M63x1,5	75/73*	77	68	56	45	115	0,786	70
NAVBN7SNB	2 1/2" NPT	NAVBN75SIB	M75x1,5	80	82	71.5	62	53	140	1,082	98
NAVBN7NB	3" NPT	NAVBN75IB	M75x1,5	90/85*	90	71.5	68	55	140	1,042	101
NAVBN8NB	3" NPT	NAVBN90IB	M90x1,5	100	110	80	79	65	200	1,984	145
NAVBN9NB	3 1/2" NPT	NAVBN100IB	M100x1,5	115	120	86	91	72	200	2,043	188
NAVBN10NB	4" NPT	NAVBN115IB	M115x1,5	120	130	85.5	98	85	200	3,056	254

* Dimensions with threaded: NPT / ISO.

** At least 20% of the internal section of the bushing must be filled with resin.

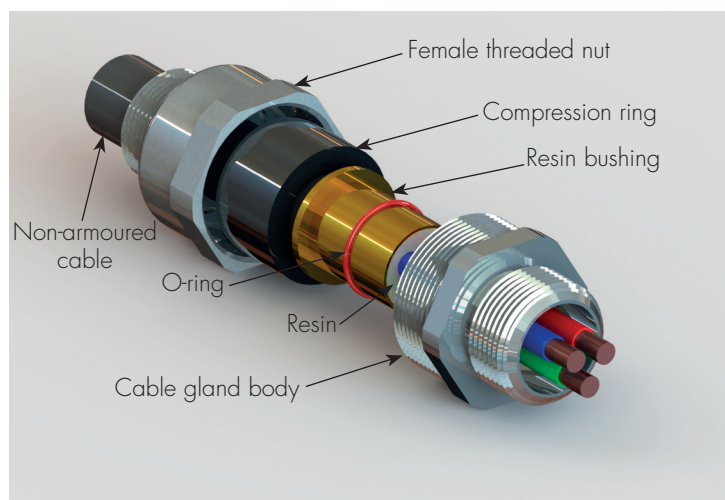
*** Maximum quantity of resin calculated with completely empty bushing.

Sample order code of the cable gland



Don't forget to order the resin kit with two-component resin:

- 25 ml resin bag code BOND-B-25
- 100 ml resin bag code BOND-B-100
- 40 ml cartridge + mixing nozzle code BOND-C (manual dispenser supplied as an option code DISP-C)



TECHNICAL NOTES:

- Silicone o-rings are supplied for cylindrical threads (ISO metric) for the pre-assembled IP seal on the cable gland.
- The ISO7/1 thread version is available upon request (sample code NAVBN1B).
- Also available in stainless steel AISI 316 (sample code NAVBN1S).
- Other materials on request.
- For "Ex i" intrinsic safety version, RAL 5015 blue nut (sample code NAVBN1IA).