

The NAVB series barrier cable glands for non-armoured cable are designed to guarantee the IP66/67 protection and the explosion protection 'Ex db IIC; Ex eb IIC 'in applications where installation requirements are needed in accordance with the EN - IEC 60079-14: 2015 standard. The barrier is shaped around the conductors thanks to the particular mixture that flows through them in the special bushing ensuring a complete seal. The liquid resin used prevents the formation of air pockets or voids between the conductors and the bushing (typical problems found with malleable resins). Resin kit available separately.



[Safety, maintenance and mounting instructions](#)

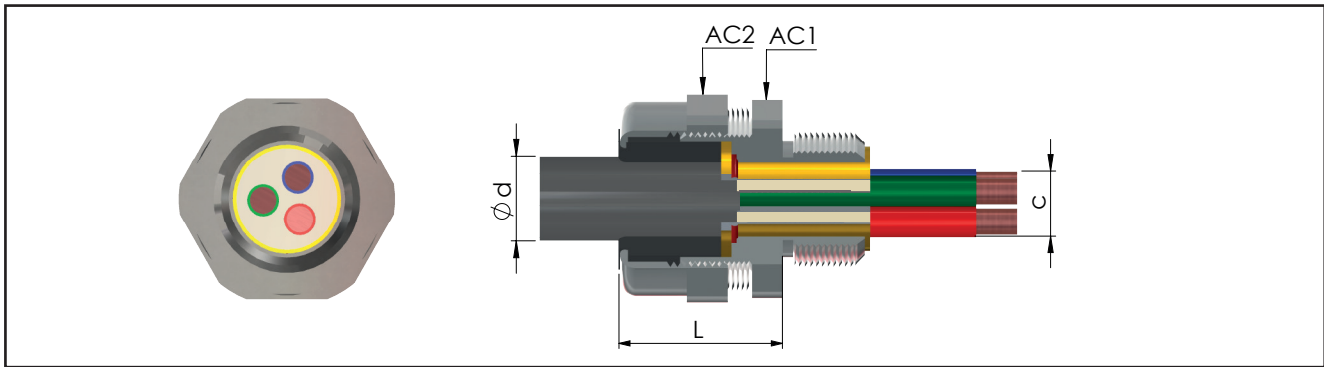
<b>Classification:</b> 2014/34/EU	<b>Group II</b>	<b>Category 2GD/3G</b>
<b>Installation:</b> EN 60079.14	<b>zone 1 - zone 2 (Gas)</b>	<b>zone 21 - zone 22 (Dust)</b>
<b>Marking:</b>	CE 0722 Ex II 2 GD - Ex db IIC Gb - Ex eb IIC Gb II 2 D - Ex tb IIIC Db II 3G Ex nR IIC Gc	
<b>Certification:</b>	<b>ATEX (category 2):</b>	<b>IMQ 19 ATEX 019X</b>
	<b>ATEX (category 3):</b>	<b>IMQ 19 ATEX 020X</b>
	<b>IEC Ex</b>	<b>IECEX IMQ 19.0003X</b>
	<b>TR CU</b>	<b>Work in progress</b>
<b>Standards:</b>	CENELEC EN 60079-0: 2012+A11:2013, EN 60079-1: 2016, EN 60079-7: 2015, EN 60079-15: 2012, EN 60079-31: 2015 ed alla DIRETTIVA EUROPEA 2014/34/UE IEC60079-0: 2011, IEC60079-1: 2014, IEC60079-7: 2015, IEC60079-15: 2015, IEC60079-31: 2013 Direttiva RoHS 2002/95/CE	
<b>Operating temperature:</b>	<b>-60°C +100°C</b>	
<b>Protection rating:</b>	<b>IP66/67</b>	
<b>Design</b>	<b>BS 6121: Part 1:1989, IEC 62444, EN 62444</b>	

Certificates are available on [www.cortemgroup.com](http://www.cortemgroup.com)

**ACCESSORIES UPON REQUEST**

Locknuts	ISO thread	Nickel-plated brass	Galvanized steel	Stainless steel	Black TPV protector	Cableglands	Code	
	M16x1,5	<b>DL01B</b>	<b>DL01G</b>	<b>DL01S</b>		NAVB01NB	NAVB16IB	<b>PGA1F</b>
	M20x1,5	<b>DL11B</b>	<b>DL11G</b>	<b>DL11S</b>		NAVB1SNB	NAVB20SIB	<b>PGA1N</b>
	M25x1,5	<b>DL21B</b>	<b>DL21G</b>	<b>DL21S</b>		NAVB1NB	NAVB20IB	<b>PGA1</b>
	M32x1,5	<b>DL31B</b>	<b>DL31G</b>	<b>DL31S</b>		NAVB2NB	NAVB25IB	<b>PGA2N</b>
	M40x1,5	<b>DL41B</b>	<b>DL41G</b>	<b>DL41S</b>		NAVB3NB	NAVB32IB	<b>PGA4</b>
	M50x1,5	<b>DL51B</b>	<b>DL51G</b>	<b>DL51S</b>		NAVB4NB	NAVB40IB	<b>PGA4</b>
	M63x1,5	<b>DL61B</b>	<b>DL61G</b>	<b>DL61S</b>		NAVB5SNB	NAVB50SIB	<b>PGA5</b>
	M75x1,5	<b>DL71B</b>	<b>DL71G</b>	<b>DL71S</b>		NAVB5NB	NAVB50IB	<b>PGA5N</b>
	M90x1,5	<b>DL81B</b>	<b>DL81G</b>	<b>DL81S</b>		NAVB6SNB	NAVB63SIB	<b>PGA6</b>
	M100x1,5	<b>DL101B</b>	<b>DL101G</b>	<b>DL101S</b>		NAVB6NB	NAVB63IB	<b>PGA6</b>
M115x1,5	<b>DL1151B</b>	<b>DL1151G</b>	<b>DL1151S</b>	NAVB7SNB	NAVB75SIB	<b>PGA7</b>		
Nickel-plated brass earthing rings	ISO thread	Nickel-plated brass	Stainless steel	Serrated stainless steel lock washers	Code	Adapters and reducers of the RE... series		
	M16x1,5	<b>A0131B</b>	<b>A0131S</b>		<b>RD101S/A4</b>		<b>GTR7</b> Heat shrinkable	
	M20x1,5	<b>A13111B</b>	<b>A13111S</b>		<b>RD11S/A4</b>			
	M25x1,5	<b>A23121B</b>	<b>A23121S</b>		<b>RD12S/A4</b>			
	M32x1,5	<b>A33131B</b>	<b>A33131S</b>		<b>RD13S/A4</b>			
	M40x1,5	<b>A43141B</b>	<b>A43141S</b>		<b>RD14S/A4</b>			
	M50x1,5	<b>A53151B</b>	<b>A53151S</b>		<b>RD15S/A4</b>			
	M63x1,5	<b>A63161B</b>	<b>A63161S</b>		<b>RD16S/A4</b>			
	M75x1,5	<b>A731B</b>	<b>A731S</b>					
	M90x1,5	<b>A831B</b>	<b>A831S</b>					
M100x1,5	<b>A1031101B</b>	<b>A1031101S</b>						
M115x1,5	<b>A1031B</b>	<b>A1031S</b>						

\* For different threads, contact the sales department.



### CABLE GLAND SELECTION TABLE

Code Nickel-plated brass	Thread	Code Nickel-plated brass	Thread	Dimensions in mm			Range			Weight Kg	Q.ty of resin ml ***
				AC1	AC2	L	Ød cable max	Øc over cores	n. max cable **		
NAVB01NB	3/8" NPT	NAVB16IB	M16x1,5	24	24	29.5	7.1	5.5	11	0,094	1.3
NAVB1SNB	1/2" NPT	NAVB20SIB	M20x1,5	24	26	30	11.6	10	11	0,093	3.7
NAVB1NB	1/2" NPT	NAVB20IB	M20x1,5	30	32	33	13.2	11	11	0,126	4.2
NAVB2NB	3/4" NPT	NAVB25IB	M25x1,5	36	38	32	18.6	15	21	0,153	8.3
NAVB3NB	1" NPT	NAVB32IB	M32x1,5	45	47	33	25	21	38	0,232	15
NAVB4NB	1 1/4" NPT	NAVB40IB	M40x1,5	50	52	34	31.8	27	59	0,295	24
NAVB5SNB	1 1/2" NPT	NAVB50SIB	M50x1,5	55	57	36	38	33	89	0,374	36
NAVB5NB	2" NPT	NAVB50IB	M50x1,5	62/60*	62	36	42	35	89	0,329	41
NAVB6SNB	2" NPT	NAVB63SIB	M63x1,5	68	77	46.5	50	43	115	0,753	65
NAVB6NB	2 1/2" NPT	NAVB63IB	M63x1,5	75/73*	77	47.5	54	45	115	0,732	70
NAVB7SNB	2 1/2" NPT	NAVB75SIB	M75x1,5	80	82	65/51*	62	53	140	0,714	98
NAVB7NB	3" NPT	NAVB75IB	M75x1,5	90/85*	90	51	65	55	140	0,627	101
NAVB8NB	3" NPT	NAVB90IB	M90x1,5	100	110	53.5	78.1	65	200	1,384	145
NAVB9NB	3 1/2" NPT	NAVB100IB	M100x1,5	115	120	58	86	72	200	1,316	188
NAVB10NB	4" NPT	NAVB115IB	M115x1,5	120	130	57.5	98	85	200	1,937	254

\* Dimensions with threaded: NPT / ISO.

\*\* At least 20% of the internal section of the bushing must be filled with resin.

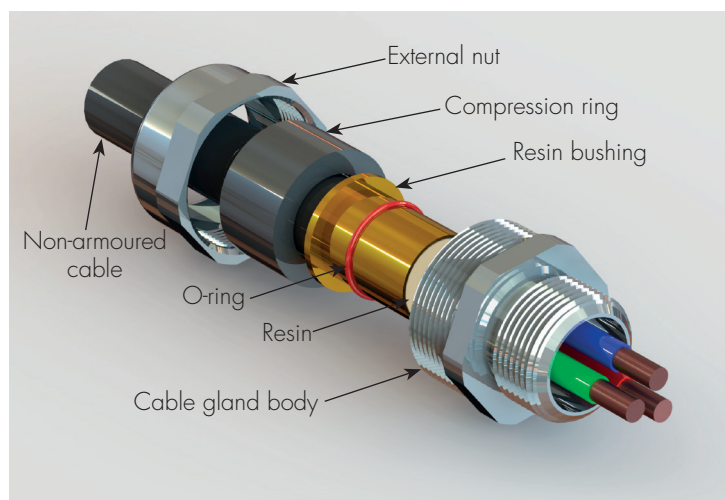
\*\*\* Maximum quantity of resin calculated with completely empty bushing.

### Sample order code of the cable gland

<b>NAVB</b>	<b>6S</b>	<b>N</b>	<b>B</b>
MODEL	SIZE	THREAD	MATERIAL

Don't forget to order the resin kit with two-component resin:

- 25 ml resin bag code BOND-B-25
- 100 ml resin bag code BOND-B-100
- 40 ml cartridge + mixing nozzle code BOND-C (manual dispenser supplied as an option code DISP-C)



### TECHNICAL NOTES:

- Silicone o-rings are supplied for cylindrical threads (ISO metric) for the pre-assembled IP seal on the cable gland.
- The ISO7/1 thread version is available upon request (sample code NAVB1B).
- Also available in stainless steel AISI 316 (sample code NAVB1S).
- Other materials on request.
- For "Ex i" intrinsic safety version, RAL 5015 blue nut (sample code NAVB1IA).