

EKC pulling boxes are used in conduit system of electrical plant to facilitate the cables insertion. The back opening enables an easy inspection of the installation and an easy insertion of electrical cables.

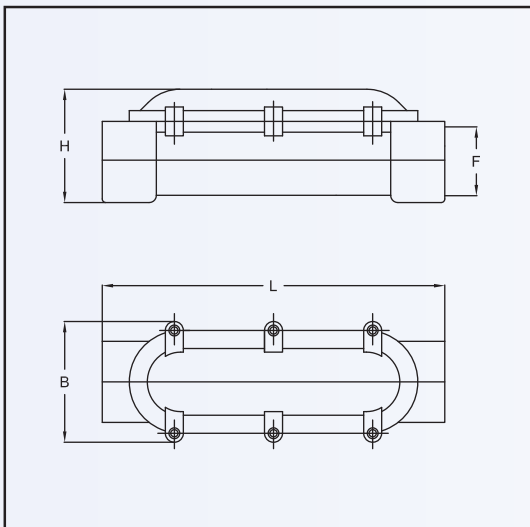


<b>Classification:</b> 2014/34/UE	Group II	Category 2G
<b>Installation:</b> EN 60079.14	zone 1 - zone 2 (Gas)	
<b>Marking:</b>	CE 0722 Ex II 2 G Ex d IIB	
<b>Certification:</b>	ATEX	CESI 03 ATEX 141U
	TR CU	AVAILABLE <small>All TR CU certification data can be downloaded at <a href="http://www.cortemgroup.com">www.cortemgroup.com</a></small>

<b>Standards:</b>	CENELEC EN 60079-0: 2006, EN 60079-1: 2004 and EUROPEAN DIRECTIVE 2014/34/UE IEC60079-0: 2011, IEC60079-1: 2007-04, IEC60079-31: 2008 Directive RoHS 2002/95/CE
-------------------	---

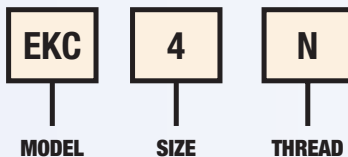
<b>Ambient Temp.:</b>	-20°C +60°C (Max. operating temperature +80°C)
-----------------------	--

Certificates are available on [www.cortemgroup.com](http://www.cortemgroup.com)



SELECTION TABLE OF EKC PULLING BOXES					
Code In aluminium	Thread	Dimensions in mm			Weight
	F	H	L	S	Kg
EKC1	1/2" ISO 7/1	59	171	70	0,508
EKC2	3/4" ISO 7/1	59	171	70	0,485
EKC3	1" ISO 7/1	64	181	70	0,558
EKC4	1 ¼" ISO 7/1	87	240	99	1,211
EKC5	1 ½" ISO 7/1	87	240	99	1,135
EKC6	2" ISO 7/1	112	298	105	1,745
EKC7	2 ½" ISO 7/1	172	380	138	4,003
EKC8	3" ISO 7/1	172	380	138	3,609
EKC10	4" ISO 7/1	196	755	180	10,320

Order code example



TECHNICAL NOTES:

- Available also with NPT thread (example code EKC3N)
- Available also with ISO METRIC thread (example code EKC4I)