

Automatic drainage and breather valves ECDE series are suitable to be used on increased safety, intrinsically safety or watertight enclosures to facilitate the elimination of condensation or vapors developed inside. Thanks to a precise mechanism, it is possible to obtain a continuous drainage and breathing of the junction box, protecting it from the possible formations of internal condensation and thus avoiding the periodic manual discharge, while ensuring a suitable IP degree of protection.

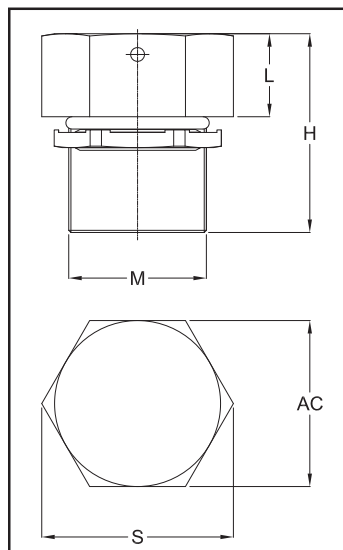


<b>Classification:</b> 2014/34/UE	Group II	Category 2GD
<b>Installation:</b> EN 60079-14	zone 1 - zone 2 (Gas)	zone 21 - zone 22 (Dust)
<b>Marking:</b>	CE 0722 Ex II 2 GD Ex eb IIC Gb Ex tb IIIC Db IP66	
<b>Certification:</b>	ATEX CML 16 ATEX 1351X	
	IECEx	IECEx CML16.0124X

All IEC Ex certification data can be downloaded at [www.cortemgroup.com](http://www.cortemgroup.com)

<b>Standards:</b>	CENELEC EN 60079-0: 2012, EN 60079-7: 2015, EN 60079-31: 2014 and EUROPEAN DIRECTIVE 2014/34/UE IEC60079-0: 2011, IEC 60079-7: 2015, IEC60079-31: 2013 Directive RoHS 2002/95/CE
<b>Ambient temp.:</b>	-60°C +150°C
<b>Degree of protection:</b>	IP66

Certificates are available on [www.cortemgroup.com](http://www.cortemgroup.com)



SELECTION TABLE OF ECDE VALVES							
Code In stainless steel AISI 316	Code In nickel-plated brass	Thread	Dimensions in mm				Use
			M	H*	L	S	
ECDE-B1S	ECDE-B1B	M20x1,5	26	13	28	24	Breather
ECDE-B2S	ECDE-B2B	M25x1,5	26	13	35	30	Breather
ECDE-D1S**	ECDE-D1B**	M20x1,5	26	13	28	24	Breather/Drain
ECDE-D2S**	ECDE-D2B**	M25x1,5	26	13	35	30	Breather/Drain

**TECHNICAL NOTES:**

- \* Different lengths for thick junction boxes upon request.
- \*\* When the ECDE are intended for use as a drain, they must be installed at the bottom of the enclosure