

Drain and breather valves are suitable for use in any type of explosion proof enclosure to drain the condensation and vapours developed inside the enclosure.

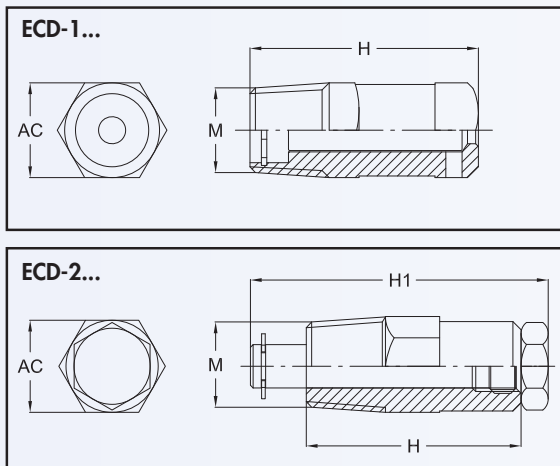


Classification: 2014/34/UE	Group II	Category 2GD	
Installation: EN 60079.14	zone 1 - zone 2 (Gas)		ECD-1...
	zone 1 - zone 2 (Gas)	zone 21 - zone 22 (Dust)	ECD-2...
Marking:	CE 0722 Ex II 2 G Ex d IIC/IIB Gb		ECD-1...
	CE 0722 Ex II 2 GD Ex d IIC/IIB - Ex e IIC Gb Ex tb IIIC Db IP66		ECD-2...
Certification:	ATEX	CESI 01 ATEX 081U	
	IECEX	IECEX CES 14.0016U	
	TR CU	AVAILABLE	

All IEC Ex and TR CU certification data can be downloaded at www.cortemgroup.com

Standards:	CENELEC EN 60079-0: 2012, EN 60079-1: 2007, EN 60079-7: 2007, EN 60079-31: 2009 and EUROPEAN DIRECTIVE 2014/34/UE IEC60079-0: 2011, IEC60079-1: 2014, IEC 60079-7: 2015, IEC60079-31: 2013 Directive RoHS 2002/95/CE
Operating temp. (IIC):	-50°C +60°C
Operating temp. (IIB):	-50°C +150°C
Degree of protection:	IP66

Certificates are available on www.cortemgroup.com



SELECTION TABLE OF ECD VALVES						
Code In stainless steel AISI 316	Thread	Dimensions in mm			Use	Weight Kg
		F	H	H1		
ECD-110S	3/8" IS07/1	42	-	17	Drain	0,08
ECD-115S	1/2" IS07/1	43	-	22	Drain	0,08
ECDS-110S	3/8" IS07/1	42	-	17	Breather	0,10
ECD-210S	3/8" IS07/1	40	55	17	Drain	0,11
ECD-215S	1/2" IS07/1	40	55	22	Drain	0,20

TECHNICAL NOTES:

- Available also in aluminium (example code ECD110)
- Available also with NPT thread (example code ECD110NS)
- Available also with ISO METRIC thread