

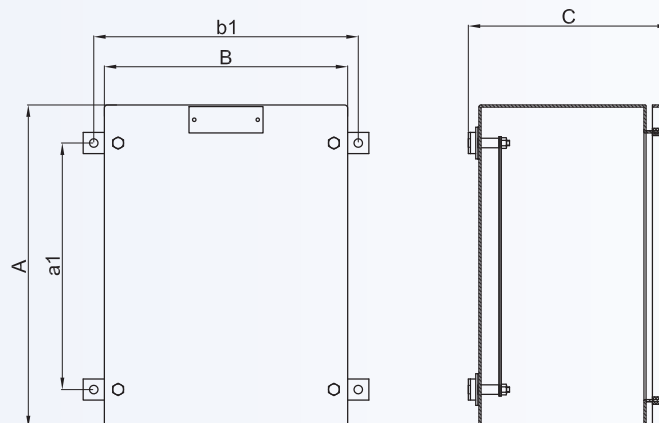
CS/SS series watertight junction boxes, in stainless steel, are suitable for containing any electrical and electronic equipment. Thanks to the material used and their features, they are particularly indicated for industrial environments with strongly aggressive atmospheres.






Standard construction:	Stainless steel AISI 316L Stainless steel bolts and screws Silicone gasket Fixing lugs
Protection degree:	IP 66
Mechanical strenght:	IK10
Standards:	IEC 60529

STAINLESS STEEL ENCLOSURES SELECTION CHART						
Codice	External dimensions			Fixing		Weight Kg
	A	B	C	a1	b1	
CS111108SS	110	110	90	38	130	0,80
CS141410SS	147	147	110	75	167	1,40
CS171108SS	170	110	90	98	130	1,20
CS301410SS	305	147	110	233	167	2,50
CS302310SS	305	230	110	233	250	4,30
CS302318SS	305	230	190	233	250	5,60
CS404020SS	400	400	210	328	420	10,90
CS473018SS	470	305	190	398	325	8,00
CS623018SS	620	305	190	548	325	12,00
CS606020SS	600	600	210	528	620	16,00

Other dimensions can be enquired.



ACCESSORIES UPON REQUEST

ILLUSTRATION	DESCRIPTION	MODEL	SIZE		CODE
			A	B	
	Internal mounting plates Stainless steel	CS111108SS	50	50	B11-357
		CS141410SS	87	87	B14-357
		CS171108SS	110	50	B17-357
		CS301410SS	245	87	B301-357
		CS302310SS CS302318SS	245	170	B302-357
		CS404020SS	340	340	B40-357
		CS473018SS	410	245	B47-357
		CS623018SS CS606020SS	560 540	245 540	B62-357 B603-357
ILLUSTRATION	DESCRIPTION	MODEL	CHARACTERISTICS		CODE
	Drain and breather valve	Thread ISO M20 or ISO M25	Material: stainless steel		ECDE-...S
	Entry blanking plugs and cable glands	For models and codes, see cable glands and electrical fittings chapter			

SPECIAL REQUEST

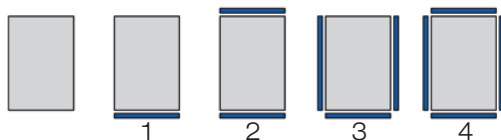
- CS-...SSF...** Junction box with walls with gland plates
CS-...SSC... Junction box with cover fixing by lock system
CS-...SSCF... Junction box with walls with gland plates and cover fixing by lock system

LOCK SYSTEM
Code example

- 1) CS302318SSC**
 Stainless steel junction box 305x230x190 with cover fixing by lock system


CS...SSF.. SERIES ENCLOSURES WITH REMOVABLE GLAND PLATES

Removable gland plate position coding


Code example

- 1) CS302318SSF3**
 Stainless steel junction box 305x230x190 with 3 removable gland plates
2) CS473018SSF1
 Stainless steel junction box 470x305x190 with 1 removable gland plate

Code	SIZE REMOVABLE GLAND PLATES			
	Side A	Side B	Side C	Side D
CS302318SSF..	130x100	225x100	150x100	225x100
CS404020SSF..	300x120	320x120	320x120	320x120
CS473018SSF..	205x100	390x100	225x100	390x100
CS623018SSF..	205x100	540x100	225x100	540x100
CS606020SSF..	500x120	520x120	520x120	520x120