

The sealing bushings are used to connect explosion-proof enclosures. The cables are sealed through a two-component resin set around each conductor.



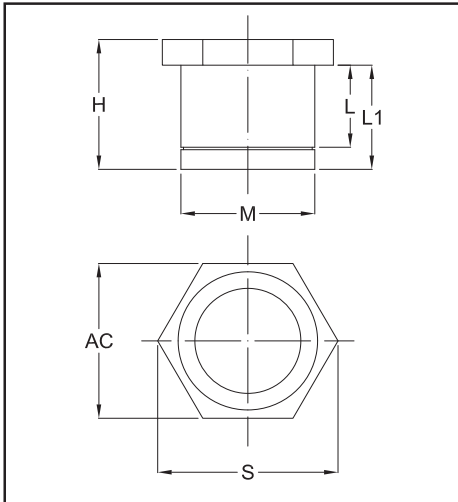
Classification: 2014/34/UE	Group II	Category 2GD
Installation: EN 60079.14	zone 1 - zone 2 (Gas)	
Marking:	CE 0722 Ex II 2 G Ex d IIC Gb	
Certification:	ATEX	CESI 01 ATEX 080U
	IECEx	IECEx CES 10.0003U
	TR CU	AVAILABLE

All IEC Ex and TR CU certification data can be downloaded at www.cortemgroup.com

Standards:	CENELEC EN 60079-0: 2012, EN 60079-1: 2014, EN 60079-31: 2014 and EUROPEAN DIRECTIVE 2014/34/UE IEC60079-0: 2011, IEC60079-1: 2014-06, IEC60079-31: 2013 Directive RoHS 2002/95/CE
-------------------	---

Operating temperature:	-50°C +110°C
-------------------------------	--------------

Certificates are available on www.cortemgroup.com



SELECTION TABLE OF SEALING BUSHINGS WITH CYLINDRICAL JOINT							
Code In brass	ISO METRIC thread	Dimensions in mm					
		M	H	L	L1	AC	S
CP	10					14	16,5
CP	12					16	19
CP	16					20	23,5
CP	24					28	32,5
CP	29		35	25,5	29	32	37
CP	33					36	42
CP	36					40	46,5
CP	38					42	48,5
CP	42					45	52

Order method for sealing bushings

- 1 Indicate the TP model based on the necessary thread type
- 2 Indicate amount, section, color of cables to be sealed in the nipple
- 3 Indicate cable length on the two sides
- 4 Indicate the total amount of necessary sealing nipples

TECHNICAL NOTES:

- The maximum quantity as well as the kind of usable cables are specified on "Maximum quantity and wires type tables" in the following pages
- Possible to strip the cables' extremities
- Available also in stainless steel
- Request the lock nuts for the block of the sealing bushings

Max. N. of wires	Wires size mm ²	Rated current for continuous usage for max. temperature of 40°C	Rated Voltage	Thread size for TP - NPS		CP cylindrical Joint size			
1	0,75	10 A	750 V	M10x1,5	1/8"	Ø 10			
1				M12x1,5	1/4"	Ø 12			
3				M16x1,5	3/8"	Ø 16			
5				M20x1,5	1/2"	-			
6				M24x1,5	-	Ø 24			
6				M25x1,5	3/4"	Ø 25			
8				-	-	Ø 29			
12				M33x1,5	1"	Ø 33			
15				M36x1,5	-	Ø 36			
15				M38x1,5	-	Ø 38			
48				M42x1,5	1 1/4" - 1 1/2"	Ø 42			
1	1	12 A	1000 V	M10x1,5	1/8"	Ø 10			
1				M12x1,5	1/4"	Ø 12			
3				M16x1,5	3/8"	Ø 16			
5				M20x1,5	1/2"	-			
6				M24x1,5	-	Ø 24			
6				M25x1,5	3/4"	Ø 25			
8				-	-	Ø 29			
12				M33x1,5	1"	Ø 33			
15				M36x1,5	-	Ø 36			
15				M38x1,5	-	Ø 38			
21				M42x1,5	1 1/4" - 1 1/2"	Ø 42			
1	1,5	15 A	1000 V	M10x1,5	1/8"	Ø 10			
1				M12x1,5	1/4"	Ø 12			
3				M16x1,5	3/8"	Ø 16			
5				M20x1,5	1/2"	-			
6				M24x1,5	-	Ø 24			
6				M25x1,5	3/4"	Ø 25			
8				-	-	Ø 29			
12				M33x1,5	1"	Ø 33			
15				M38x1,5	-	Ø 38			
36				M42x1,5	1 1/4" - 1 1/2"	Ø 42			
1				2,5	20 A	1000 V	M16x1,5	3/8"	Ø 16
3	M20x1,5	1/2"	-						
3	M24x1,5	-	Ø 24						
3	M25x1,5	3/4"	Ø 25						
5	-	-	Ø 29						
12	M33x1,5	1"	Ø 33						
12	M38x1,5	-	Ø 38						
21	M42x1,5	1 1/4" - 1 1/2"	Ø 42						
24									
1	4	27 A	1000 V				M16x1,5	3/8"	Ø 16
2							M20x1,5	1/2"	-
3				M24x1,5	-	Ø 24			
3				M25x1,5	3/4"	Ø 25			
5				-	-	Ø 29			
6				M33x1,5	1"	Ø 33			
8				M36x1,5	-	Ø 36			
8				M38x1,5	-	Ø 38			
18				M42x1,5	1 1/4" - 1 1/2"	Ø 42			
1				6	35 A	1000 V	M16x1,5	3/8"	Ø 16
2							M20x1,5	1/2"	-
2	M24x1,5	-	Ø 24						
2	M25x1,5	3/4"	Ø 25						
4	-	-	Ø 29						
6	M33x1,5	1"	Ø 33						
6	M38x1,5	-	Ø 38						
6	M42x1,5	1 1/4" - 1 1/2"	Ø 42						
12									
1	10	49 A	1000 V				M24x1,5	3/4"	Ø 24
3							M33x1,5	1"	Ø 33
6				M36x1,5	-	Ø 36			
6				M38x1,5	-	Ø 38			
6				M42x1,5	1 1/4" - 1 1/2"	Ø 42			
6									

Max. N. of wires	Wires size mm ²	Rated current for continuous usage for max. temperature of 40°C	Rated Voltage	Thread size for TP - NPS	CP cylindrical Joint size
1 1 3 6 6 6	16	65 A	1000 V	M24x1,5 - M25x1,5 3/4" M33x1,5 1" M36x1,5 - M38x1,5 - M42x1,5 1 1/4" - 1 1/2"	Ø 24 Ø 25 Ø 33 Ø 36 Ø 38 Ø 42
1 1 3	25	86 A		M24x1,5 - M25x1,5 3/4" M42x1,5 1 1/4" - 1 1/2"	Ø 24 Ø 25 Ø 42
1 1 3	35	107 A		M24x1,5 - M25x1,5 3/4" M42x1,5 1 1/4" - 1 1/2"	Ø 24 Ø 25 Ø 42
1 1 1	50	132 A		M24x1,5 - M25x1,5 3/4" M33x1,5 1"	Ø 24 Ø 25 Ø 33
1 1	70	165 A		M33x1,5 1" M36x1,5 -	Ø 33 Ø 36

Rated voltage 750V					
Max. N. of wires	Wires size mm ²	Rated current for continuous usage for max. temperature of 40°C	Thread size for TP - NPS		CP cylindrical joint size
3 3 8 12 16 16 20 20 25 35 45	0,5	5 A	M10x1,5 1/8" M12x1,5 1/4" M16x1,5 3/8" M20x1,5 1/2" M24x1,5 - M25x1,5 3/4" - M33x1,5 1" M36x1,5 - M38x1,5 - M42x1,5 1 1/4" - 1 1/2"	- - - - - - - - - - -	Ø 10 Ø 12 Ø 16 - Ø 24 Ø 25 Ø 29 Ø 33 Ø 36 Ø 38 Ø 42

Wire capacity range with cables for thermocouples K type - Rated current 100/100V					
Max. N. of wires	Wires size mm ²	Operating temperature	Thread size for TP - NPS		CP cylindrical joint size
1 1 2 2 5 5 7 7 9	2 x 0,22 2 x 0,50 2 x 0,80	110°C	M12x1,5 M16x1,5 M24x1,5 M25x1,5 M33x1,5 M36x1,5 M38x1,5 M42x1,5	- - - - - - - -	Ø 12 Ø 16 Ø 24 Ø 25 Ø 29 Ø 33 Ø 36 Ø 38 Ø 42
1 2 2 4 5 7 7 9	2 x 1,00		M16x1,5 M24x1,5 M25x1,5 M33x1,5 M36x1,5 M38x1,5 M42x1,5	- - - - - - -	Ø 16 Ø 24 Ø 25 Ø 29 Ø 33 Ø 36 Ø 38 Ø 42
1 2 2 4 5 7 7 9	2 x 1,30 2 x 1,50		M16x1,5 M24x1,5 M25x1,5 M33x1,5 M36x1,5 M38x1,5 M42x1,5	- - - - - - -	Ø 16 Ø 24 Ø 25 Ø 29 Ø 33 Ø 36 Ø 38 Ø 42

TECHNICAL NOTES:

- The rated current specified in the tables refers to a temperature of 40°C
- For other service temperatures up to 110°C, the derating of current must be evaluated by the end user.
- The resin must fill at least 20% of section (60079-1)
- For the type of cable allowed, please refer to the certificate