

Condulet are used as pulling or junction boxes in areas where is no danger of explosion, but it is required a specific protection to prevent the entry of solids and liquids. They are aluminium made and can be installed in chemical and off-shore plants and where is a strong external agents aggression.

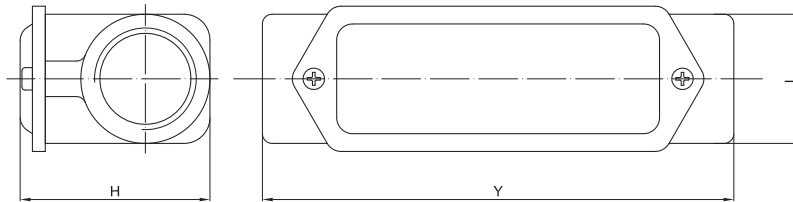
Standard construction:	Body and cover in aluminium alloy Galvanized steel bolts and screws Elastomer gasket
Degree of protection	IP 65
Standards:	IEC 60529
On request:	Other threads Coating Stainless steel screws



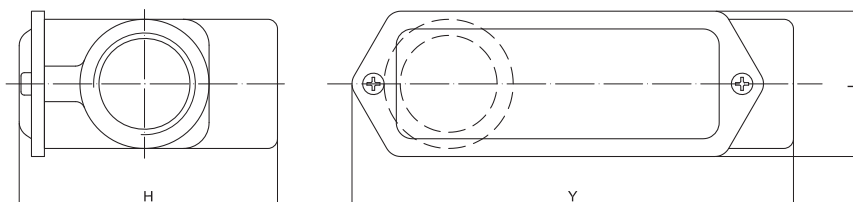
Box type	Code	Description
	C	Enclosure with two coaxial hubs
	LB	Enclosure with two hubs arranged at 90° (One hub arranged on the bottom of the enclosure)
	LL	Enclosure with two hubs arranged at 90° (One hub arranged on the bottom left side)
	LR	Enclosure with two hubs arranged at 90° (One hub arranged on the right side)
	TB	Enclosure with three hubs, two coaxial and one at 90° arranged on the middle of the enclosure's bottom
	X	Enclosure with four cross hubs
	T	Enclosure with three hubs, two coaxial and one at 90° arranged on the side
	LU	Enclosure with two 45° hubs with respect to the axis



PULLING BOXES SELECTION CHART					
Box type	Thread	Dimensions in mm			Weight Kg
		Y	L	H	
C17	1/2" ISO228/1	118	51	42	0,168
C27	3/4" ISO228/1	123	40	48	0,151
C37	1" ISO228/1	146	45	57	0,234
C47	1 1/4" ISO228/1	171	62	71	0,417
C57	1 1/2" ISO228/1	171	62	71	0,372
C67	2" ISO228/1	204	76	83	0,514
C77	2 1/2" ISO228/1	315	108	125	1,779
C87	3" ISO228/1	315	108	125	1,779
C107	4" ISO228/1	314	133	148	2,606



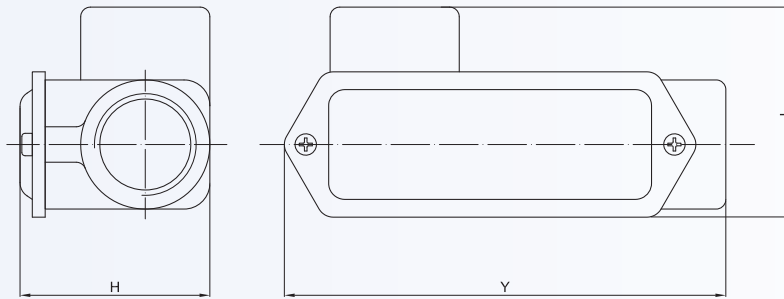
PULLING BOXES SELECTION CHART					
Box type	Thread	Dimensions in mm			Weight Kg
		Y	L	H	
LB17	1/2" ISO228/1	117	40	65	0,172
LB27	3/4" ISO228/1	117	40	65	0,159
LB37	1" ISO228/1	137	45	78	0,236
LB47	1 1/4" ISO228/1	163	62	89	0,427
LB57	1 1/2" ISO228/1	163	62	89	0,387
LB67	2" ISO228/1	190	76	108	0,541
LB77	2 1/2" ISO228/1	238	107	150	2,121
LB87	3" ISO228/1	238	107	150	1,785
LB107	4" ISO228/1	300	133	185	2,658





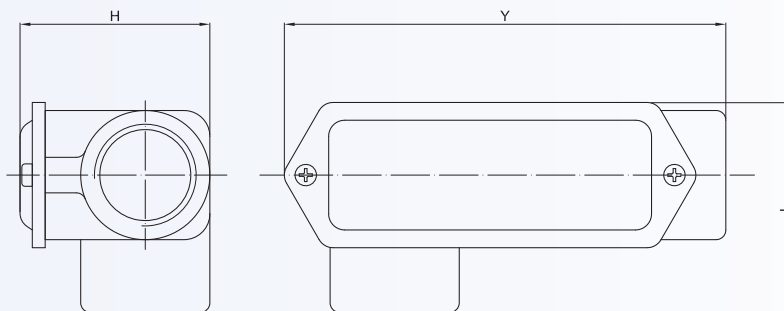
PULLING BOXES SELECTION CHART

Box type	Thread	Dimensions in mm			Weight Kg
		Y	L	H	
LL17	1/2" ISO228/1	117	51	48	0,171
LL27	3/4" ISO228/1	117	51	48	0,150
LL37	1" ISO228/1	137	61	57	0,238
LL47	1 1/4" ISO228/1	163	76	71	0,414
LL57	1 1/2" ISO228/1	163	76	71	0,381
LL67	2" ISO228/1	190	94	83	0,522
LL77	2 1/2" ISO228/1	238	138	122	2,084
LL87	3" ISO228/1	238	138	122	1,748
LL107	4" ISO228/1	300	162	148	2,666



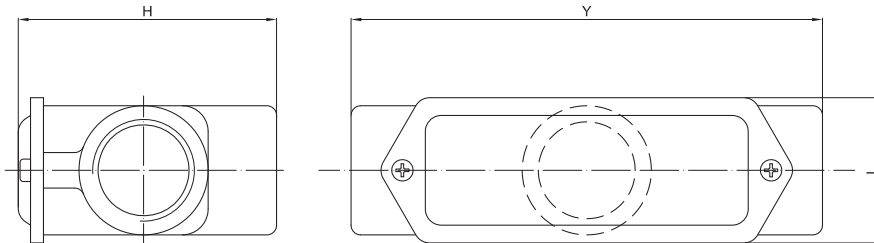
PULLING BOXES SELECTION CHART

Box type	Thread	Dimensions in mm			Weight Kg
		Y	L	H	
LR17	1/2" ISO228/1	117	51	48	0,171
LR27	3/4" ISO228/1	117	51	48	0,150
LR37	1" ISO228/1	137	61	57	0,238
LR47	1 1/4" ISO228/1	163	76	71	0,414
LR57	1 1/2" ISO228/1	163	76	71	0,381
LR67	2" ISO228/1	190	94	83	0,522
LR77	2 1/2" ISO228/1	238	138	122	2,084
LR87	3" ISO228/1	238	138	122	1,748
LR107	4" ISO228/1	300	162	148	2,666

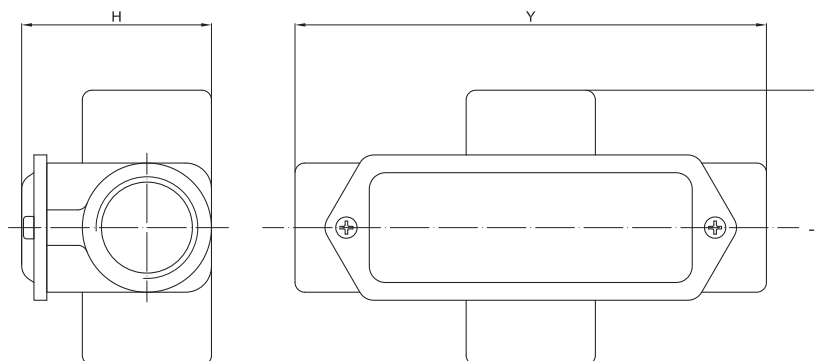




PULLING BOXES SELECTION CHART					
Box type	Thread	Dimensions in mm			Weight Kg
		Y	L	H	
TB17	1/2" ISO228/1	123	40	65	0,193
TB27	3/4" ISO228/1	123	40	65	0,168
TB37	1" ISO228/1	146	45	78	0,254
TB47	1 1/4" ISO228/1	171	62	89	0,488
TB57	1 1/2" ISO228/1	171	62	89	0,416
TB67	2" ISO228/1	204	76	108	0,607
TB77	2 1/2" ISO228/1	315	108	163	2,492
TB87	3" ISO228/1	315	108	163	1,996
TB107	4" ISO228/1	314	133	185	2,747



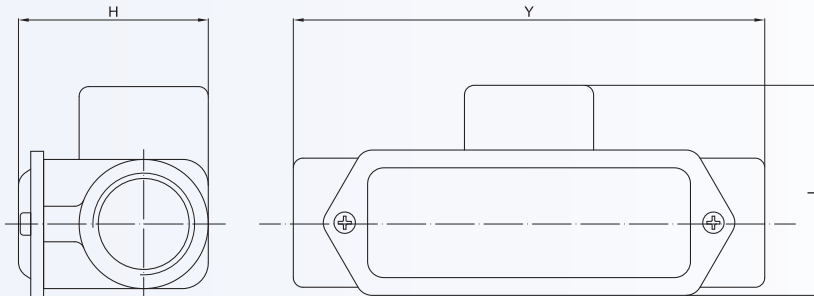
PULLING BOXES SELECTION CHART					
Box type	Thread	Dimensions in mm			Weight Kg
		Y	L	H	
X17	1/2" ISO228/1	123	68	48	0,217
X27	3/4" ISO228/1	123	68	48	0,187
X37	1" ISO228/1	146	81	57	0,289
X47	1 1/4" ISO228/1	171	96	71	0,532
X57	1 1/2" ISO228/1	171	96	71	0,428
X67	2" ISO228/1	204	118	83	0,623
X77	2 1/2" ISO228/1	315	183	125	2,394
X87	3" ISO228/1	315	183	125	2,105
X107	4" ISO228/1	315	196	148	2,881





PULLING BOXES SELECTION CHART

Box type	Thread	Dimensions in mm			Weight Kg
		Y	L	H	
T17	1/2" ISO228/1	123	53	48	0,191
T27	3/4" ISO228/1	123	53	48	0,170
T37	1" ISO228/1	146	63	57	0,264
T47	1 1/4" ISO228/1	171	78	71	0,473
T57	1 1/2" ISO228/1	171	78	71	0,410
T67	2" ISO228/1	204	96	83	0,560
T77	2 1/2" ISO228/1	315	148	125	2,457
T87	3" ISO228/1	315	148	125	1,948
T107	4" ISO228/1	315	166	148	2,725



PULLING BOXES SELECTION CHART

Box type	Thread	Dimensions in mm			Weight Kg
		Y	L	H	
LU17	1/2" ISO228/1	130	64	44	0,185
LU27	3/4" ISO228/1	130	64	44	0,167
LU37	1" ISO228/1	148	73	50	0,217
LU47	1 1/4" ISO228/1	182	103	71	0,523
LU57	1 1/2" ISO228/1	182	103	71	0,456
LU67	2" ISO228/1	211	118	83	0,639
LU77	2 1/2" ISO228/1	310	156	115	2,498
LU87	3" ISO228/1	310	156	115	1,961

